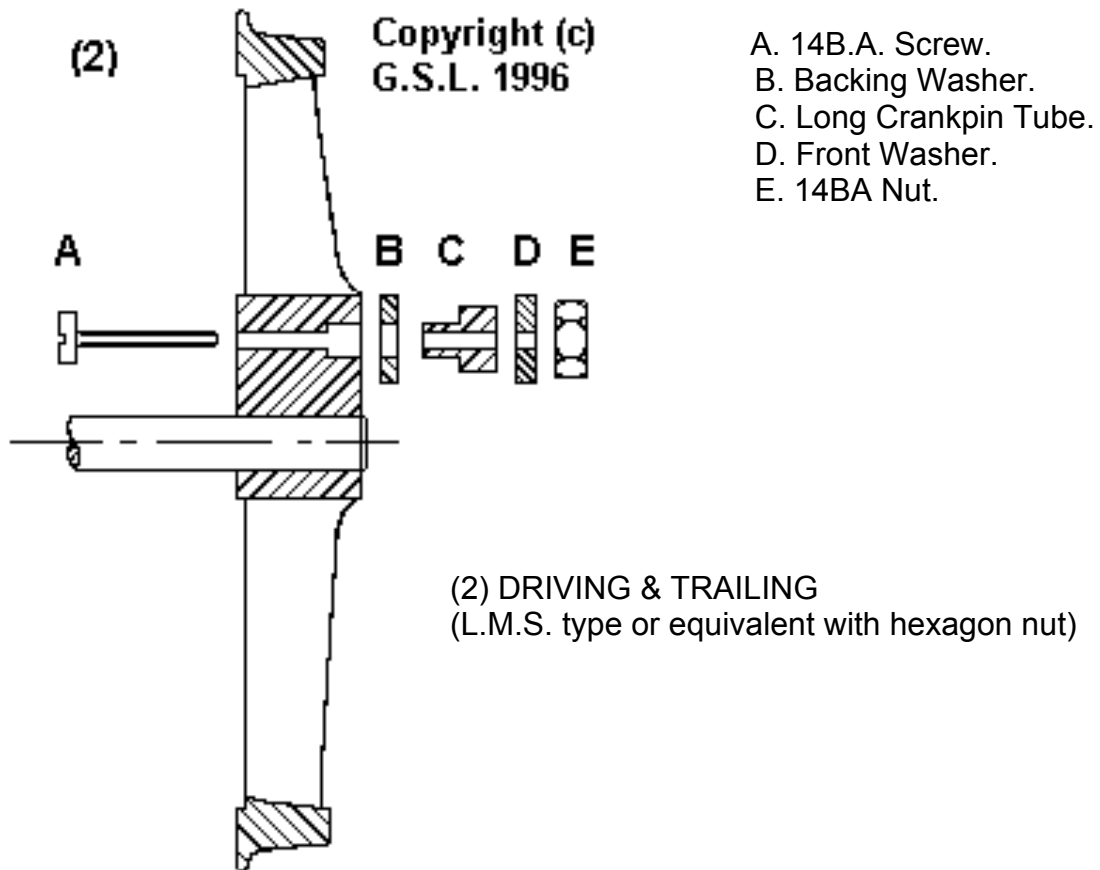


Ultrascale Data Sheet

Issue: 001-060830

'ULTRASCALE' Type E Crank pin long hex nut

Fitting Instructions:



- 1 Fit backing washer over smaller diameter of crankpin tube up to shoulder.
- 2 Fit projecting small diameter backing washer and crankpin tube assembly into crankpin hole in front face of driving wheel and push home.
- 3 Fit 14 BA screw from back of wheel turning fully home with screw driver. (screw will 'self tap')
- 4 Assemble coupling rod over large diameter of crankpin tube projecting from front face of wheel.
- 5 Place front washer over projecting thread.
- 6 Assemble 14 BA nut on projecting thread and tighten. Remove surplus thread with side cutters.